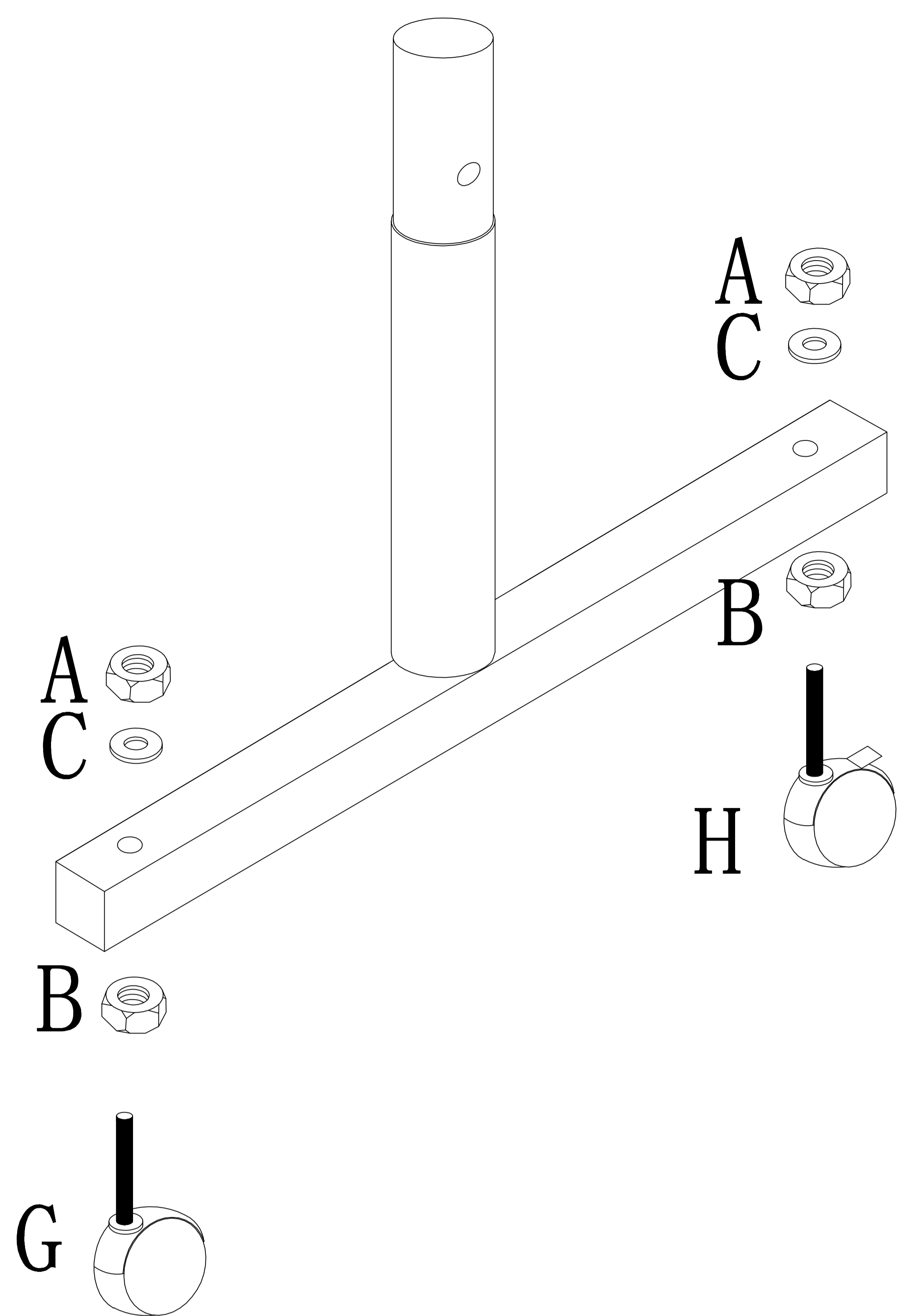
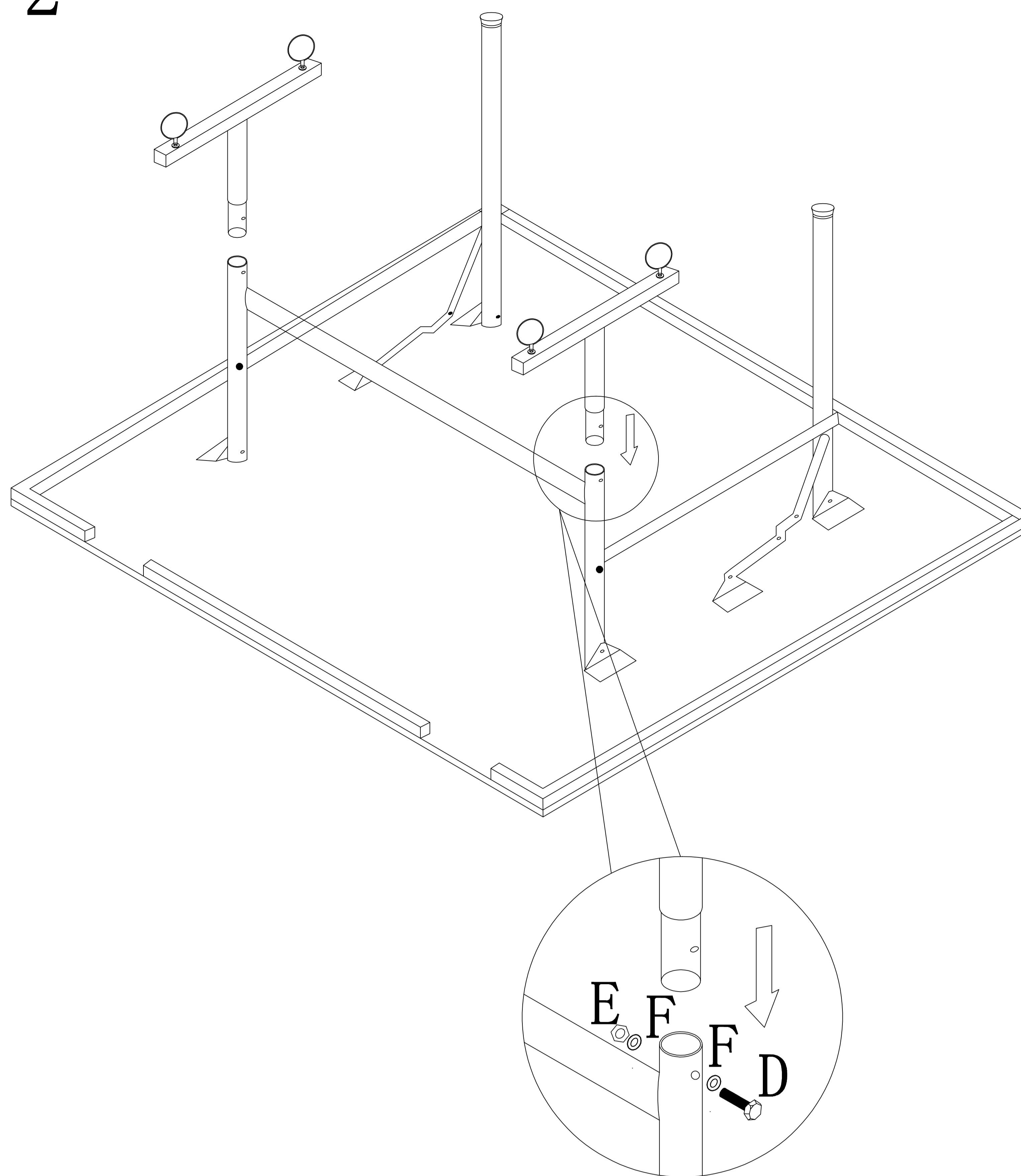


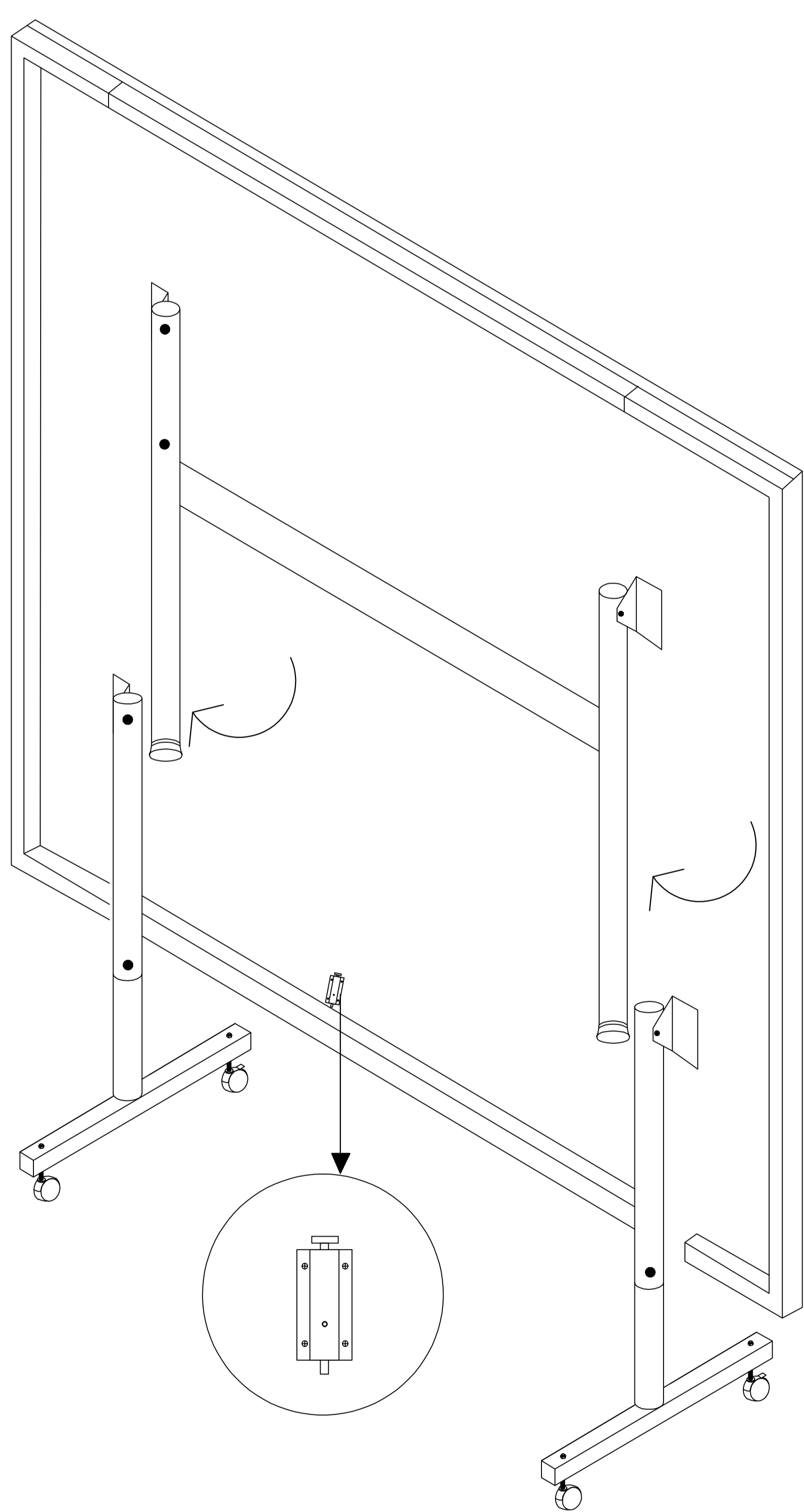
1



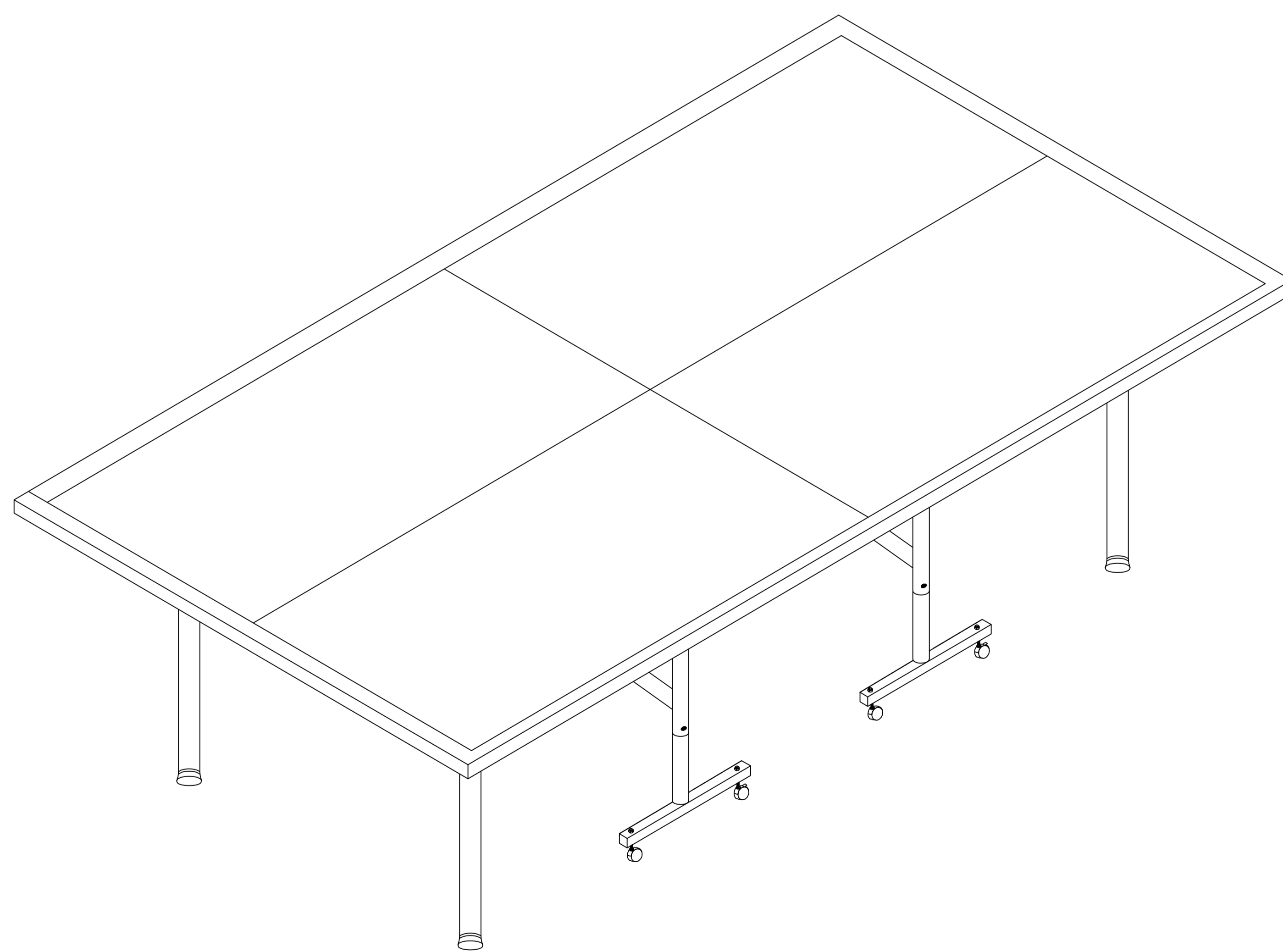
2



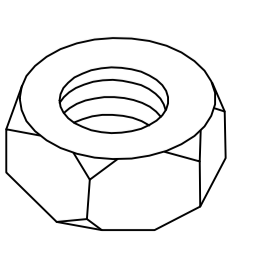
3



4

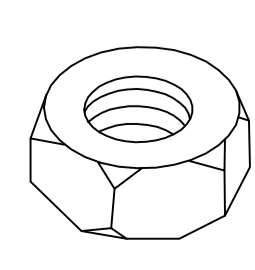


A



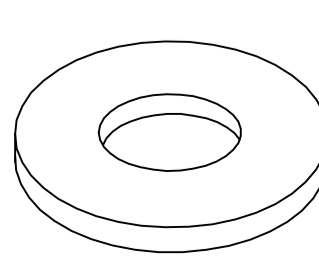
10 nut:8

B



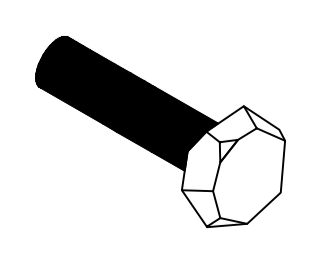
10 nut:8

C



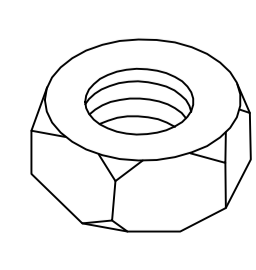
10 washer:8

D



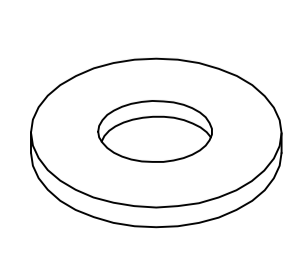
8*45 bolt:4

E



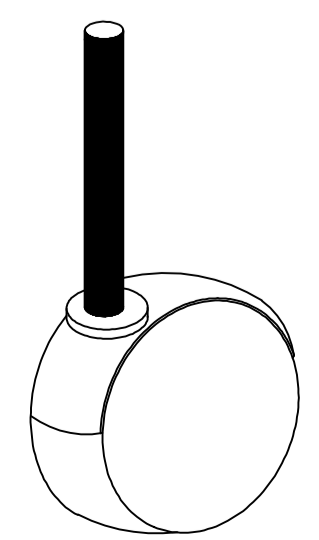
8 nut:4

F



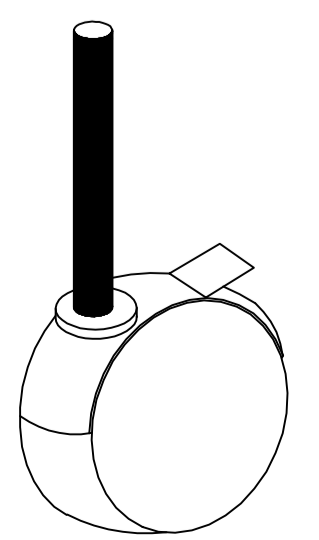
8 washer:8

G



unlock wheel:4

H



lock wheel:4